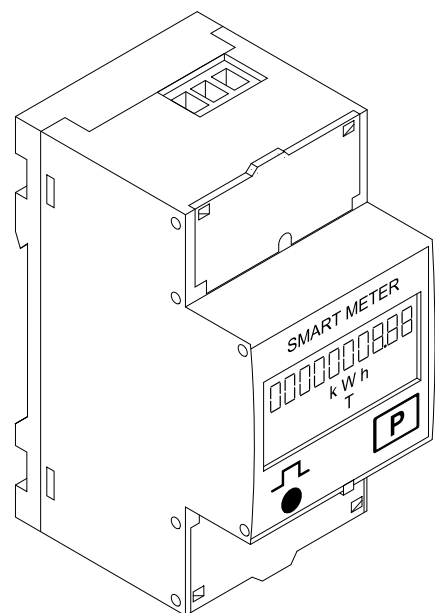


# Operating Instructions

## Fronius Smart Meter 63A-1



EN | Operating Instructions





# Contents

Safety rules.....	4
Explanation of safety notices .....	4
General.....	4
Environmental conditions.....	5
Qualified personnel.....	5
Copyright.....	5
Data protection .....	5
General.....	6
Device description.....	6
Symbols on the device .....	6
Positioning.....	6
Installation.....	8
Checklist for installation.....	8
Mounting.....	8
Protective circuit .....	8
Cabling.....	9
Connecting the data communication cable to the inverter.....	9
Terminating resistors - Explanation of symbols .....	11
Terminating resistors .....	11
Multi-meter system - Explanation of symbols.....	12
Modbus participants - Fronius SnapINverter.....	13
Multi-meter system - Fronius SnapINverter.....	14
Modbus participants - Fronius GEN24.....	15
Multi-meter system - Fronius GEN24 inverter .....	16
Menu structure.....	17
Setting the address of the Fronius Smart Meter.....	17
Reading the Fronius Smart Meter operating parameters.....	18
<b>Start-up</b> .....	<b>21</b>
Fronius SnapINverter.....	23
General.....	23
Connecting to the Fronius Datamanager.....	23
Configuring the Fronius Smart Meter as the primary meter .....	23
Configuring the Fronius Smart Meter as a secondary meter.....	24
Fronius GEN24 inverter.....	25
General.....	25
Installation using the web browser .....	25
Configuring the Fronius Smart Meter as the primary meter .....	26
Configuring the Fronius Smart Meter as a secondary meter.....	26
Technical data.....	28
Technical data.....	28
Fronius manufacturer's warranty.....	30

# Safety rules

---

## Explanation of safety notices

### **DANGER!**

**Indicates immediate danger.**

- ▶ If not avoided, death or serious injury will result.
- 

### **WARNING!**

**Indicates a potentially hazardous situation.**

- ▶ If not avoided, death or serious injury may result.
- 

### **CAUTION!**

**Indicates a situation where damage or injury could occur.**

- ▶ If not avoided, minor injury and/or damage to property may result.
- 

### **NOTE!**

**Indicates a risk of flawed results and possible damage to the equipment.**

---

## General

The device has been manufactured in line with the state of the art and according to recognized safety standards. If used incorrectly or misused, however, it can cause:

- Injury or death to the operator or a third party
  - Damage to the device and other material assets belonging to the operating company.
- 

All personnel involved in commissioning, maintenance, and servicing of the device must:

- Be suitably qualified
  - Have knowledge of and experience in dealing with electrical installations and
  - Have fully read and precisely followed these Operating Instructions
- 

The Operating Instructions must always be at hand wherever the device is being used. In addition to the Operating Instructions, attention must also be paid to any generally applicable and local regulations regarding accident prevention and environmental protection.

---

All safety and danger notices on the device:

- Must be kept in a legible state
  - Must not be damaged
  - Must not be removed
  - Must not be covered, pasted or painted over
- 

The terminals can reach high temperatures.

Only operate the device when all protection devices are fully functional. If the protection devices are not fully functional, there is a danger of:

- Injury or death to the operator or a third party
  - Damage to the device and other material assets belonging to the operating company
-

Any safety devices that are not fully functional must be repaired by an authorised specialist before the device is switched on.

---

Never bypass or disable protection devices.

---

For the location of the safety and danger notices on the device, refer to the section headed "General remarks" in the Operating Instructions for the device.

---

Any equipment malfunctions which might impair safety must be remedied before the device is turned on.

---

**This is for your personal safety!**

---

### **Environmental conditions**

Operation or storage of the device outside the stipulated area will be deemed as not in accordance with the intended purpose. The manufacturer accepts no liability for any damage resulting from improper use.

---

### **Qualified personnel**

The servicing information contained in these operating instructions is intended only for the use of qualified service engineers. An electric shock can be fatal. Do not carry out any actions other than those described in the documentation. This also applies to qualified personnel.

---

All cables and leads must be secured, undamaged, insulated and adequately dimensioned. Loose connections, scorched, damaged or inadequately dimensioned cables and leads must be immediately repaired by authorised personnel.

---

Maintenance and repair work must only be carried out by an authorised specialist.

---

It is impossible to guarantee that bought-in parts are designed and manufactured to meet the demands made on them, or that they satisfy safety requirements. Use only original spare parts (also applies to standard parts).

---

Do not carry out any alterations, installations, or modifications to the device without first obtaining the manufacturer's permission.

---

Components that are not in perfect condition must be changed immediately.

---

### **Copyright**

Copyright of these operating instructions remains with the manufacturer.

---

The text and illustrations are all technically correct at the time of printing. We reserve the right to make changes. The contents of the operating instructions shall not provide the basis for any claims whatsoever on the part of the purchaser. If you have any suggestions for improvement, or can point out any mistakes that you have found in the instructions, we will be most grateful for your comments.

---

### **Data protection**

The user is responsible for the safekeeping of any changes made to the factory settings. The manufacturer accepts no liability for any deleted personal settings.

# General

---

## Device description

The Fronius Smart Meter is a bidirectional electricity meter which optimises self-consumption and records the household's load curve. In conjunction with the Fronius inverter, Fronius Datamanager and Fronius data interface, the Fronius Smart Meter provides a clear overview of a user's own power consumption.

The meter measures the power flow to the loads or to the grid and forwards the information via the Modbus RTU/RS485 communication to the Fronius inverter.

### **CAUTION!**

#### **Observe and follow safety instructions!**

Failure to observe the safety instructions will result in damage to personnel and equipment.

- ▶ Switch off the power supply before establishing a mains connection.
  - ▶ Observe the safety instructions.
- 

## Symbols on the device

Technical data, markings and safety symbols are located on the Fronius Smart Meter. These must not be removed nor painted over. The notices and symbols warn of incorrect operation that could result in serious injury and damage to property.

### **Symbols on the rating plate:**



#### **CE mark**

The devices conform to all the requisite and relevant standards and guidelines that form part of the relevant EU directive, and are therefore permitted to display the CE mark.



#### **Regulatory Compliance Mark (RCM)**

Complies with all applicable regulatory requirements in Australia and New Zealand regarding safety and electromagnetic compatibility, as well as specific requirements for radio equipment.



#### **WEEE mark**

In accordance with European Directive 2012/19/EU on waste electrical and electronic equipment and its implementation in national law, used electrical devices must be collected separately and recycled in an environmentally responsible manner. Ensure that you return your used device to your dealer or obtain information regarding a local, authorised collection and disposal system. Failure to comply with this EU Directive may result in a negative impact on the environment and your health!

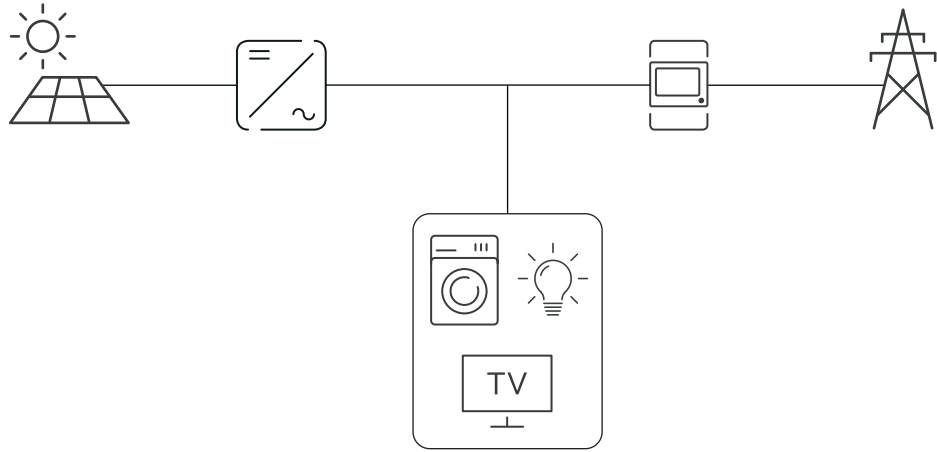
---

## Positioning

The Fronius Smart Meter can be installed at two possible locations in the system: at the feed-in point and at the consumption point.

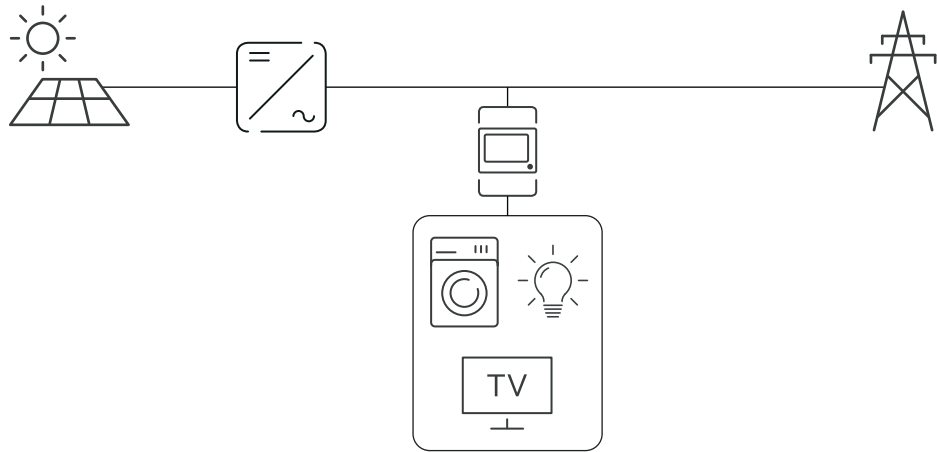
**Placement at the feed-in point**

Fronius Smart Meter located at the feed-in point.



**Placement at the consumption point**

Fronius Smart Meter located at the consumption load.



# Installation

---

## Checklist for installation

For installation information, see the following chapters:

- 1** Switch off the power supply before establishing a mains connection.
- 2** Mount the Fronius Smart Meter (see [Mounting](#) on page **8**).
- 3** Connect automatic circuit breakers or automatic circuit breakers and disconnectors (see [Protective circuit](#) on page **8**).
- 4** Connect the mains cable to the Fronius Smart Meter (see [Cabling](#) on page **9**).
- 5** Connect the output terminals of the Fronius Smart Meter to the Fronius inverter (see [Connecting the data communication cable to the inverter](#) on page **9**).
- 6** If necessary, set terminating resistors (see [Terminating resistors](#) on page **11**).
- 7** Tug on each wire and plug to make sure that they are securely connected to the terminal blocks.
- 8** Switch on the power supply to the Fronius Smart Meter.
- 9** Check the firmware version of the Fronius inverter. To ensure compatibility between the inverter and the Fronius Smart Meter, the software must always be kept up to date. The update can be started via the inverter web page or using Solar.web.
- 10** If several Fronius Smart Meters are installed in the system, set the address (see "Setting the address" under [Setting the address of the Fronius Smart Meter](#) on page **17**).
- 11** Configure and commission the meter (see [Start-up](#) on page **21**).

---

## Mounting

The Fronius Smart Meter can be mounted on a 35 mm DIN rail. The housing comprises 2 modules according to DIN 43880

---

## Protective circuit

The Fronius Smart Meter is a hard-wired device and requires a disconnecting device (circuit breaker, switch or disconnector) and overcurrent protection (automatic circuit breaker).

The Fronius Smart Meter consumes just 10-30 mA, so that the nominal capacity of all switches, disconnectors, fuses and/or automatic circuit breakers is determined by the wire gauge, mains voltage and required breaking capacity.

- Switches, disconnectors and circuit breakers must be within sight and located as close as possible to the Fronius Smart Meter; they must also be easy to use.
- Use automatic circuit breakers that are rated for max. 63 A.
- To monitor more than one mains voltage, use connected automatic circuit breakers.
- The automatic circuit breakers must protect the mains terminal, which is marked L1. In rare cases where the neutral conductor has overcurrent protection, the overcurrent protection device must interrupt both neutral and non-earthed cables concurrently.
- The circuit protection/disconnecting device must satisfy the requirements of IEC 60947-1 and IEC 60947-3, as well as all national and local regulations for electrical systems.



## Cabling

### **WARNING!**

#### **Danger from mains voltage.**

An electric shock can be fatal.

- ▶ Switch off the power supply before connecting the mains voltage inputs to the Fronius Smart Meter.

#### **IMPORTANT!**

Do not install more than one cable per screw terminal. If necessary, use terminal blocks.

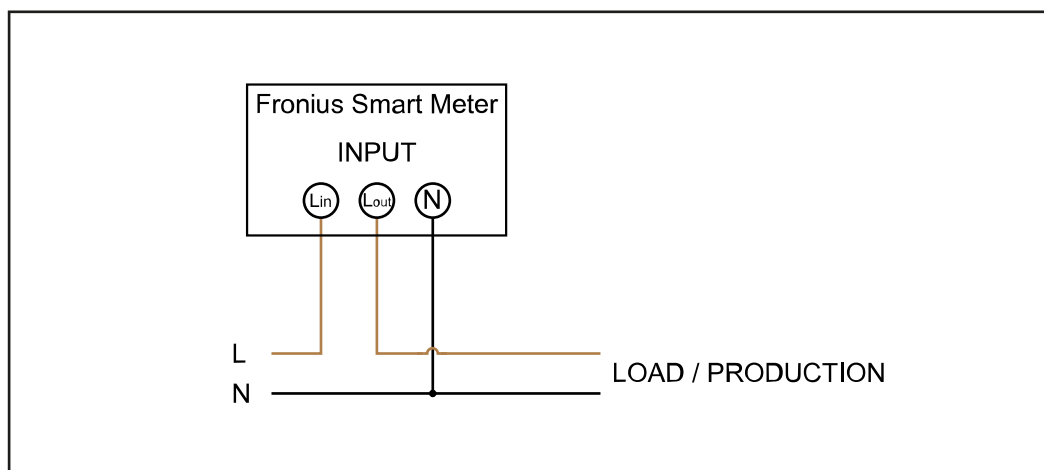
Current path connection cross-section:

- Wire (rigid): min. 1 mm<sup>2</sup> / max. 16 mm<sup>2</sup>
- Wire (flexible): min. 1 mm<sup>2</sup> / max. 10 mm<sup>2</sup>
- Recommended torque: 1.2 Nm / max. 1.4 Nm

Data communication and neutral conductor connection cross-section:

- Wire (rigid): min. 0.05 mm<sup>2</sup> / max. 4 mm<sup>2</sup>
- Wire (flexible): min. 0.05 mm<sup>2</sup> / max. 2.5 mm<sup>2</sup>
- Recommended torque: 0.5 Nm / max. 0.8 Nm

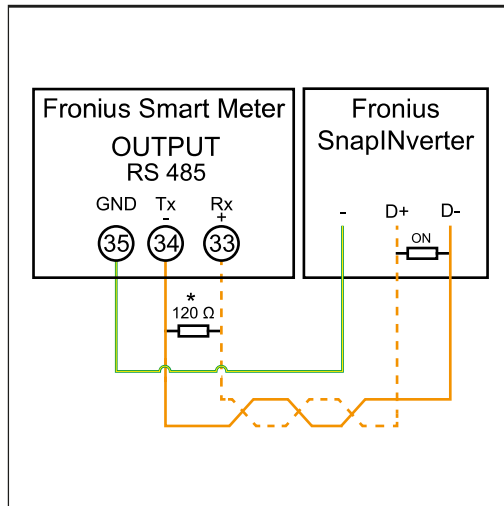
Connect each voltage cable to the terminal strip as shown in the graphic below.



### **Connecting the data communication cable to the inverter**

#### **Fronius SnapINverter:**

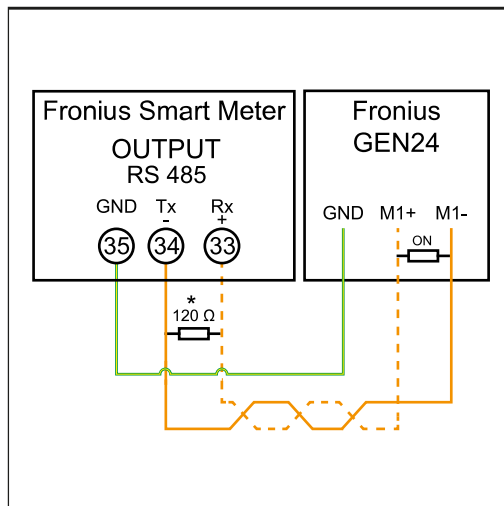
Connect the data communication connections of the Fronius Smart Meter to the Fronius system monitoring in the inverter. Several Smart Meters can be installed in the system, see chapter [Multi-meter system - Fronius SnapINverter](#) on page [14](#).



- 1 Connect 35 to -.
- 2 Connect 34 to D-.
- 3 Connect 33 to D+.

### Fronius GEN24 inverter:

Connect the data communication connections of the Fronius Smart Meter to the Modbus interface of the Fronius GEN24 inverter. Several Smart Meters can be installed in the system, see chapter [Multi-meter system - Fronius GEN24 inverter](#) on page 16.



- 1 Connect 35 to GND.
- 2 Connect 34 to M1-.
- 3 Connect 33 to M1+.

### IMPORTANT!

#### More information on successful commissioning.

Note the following information about connecting the data communication cable to the inverter.

- ▶ Use cables of type CAT5 or higher.
- ▶ Use a mutual twisted cable pair for data lines that belong together (D+, D- and M1+, M1-).
- ▶ If the output cables are close to the mains cabling, use wires or cables that are designed for 300 V to 600 V (never less than the operating voltage).
- ▶ Use double-insulated or sheathed output cables when they are close to bare conductors.
- ▶ Use shielded twisted pair cables to avoid faults.
- ▶ The outputs of the Fronius Smart Meter are electrically isolated from hazardous voltages.

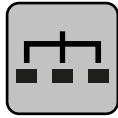
**Terminating resistors - Explanation of symbols**



**Inverter in the system**  
e. g. Fronius Symo



**Meter - Fronius Smart Meter**  
Terminating resistor R 120 Ohm is included in the scope of supply.



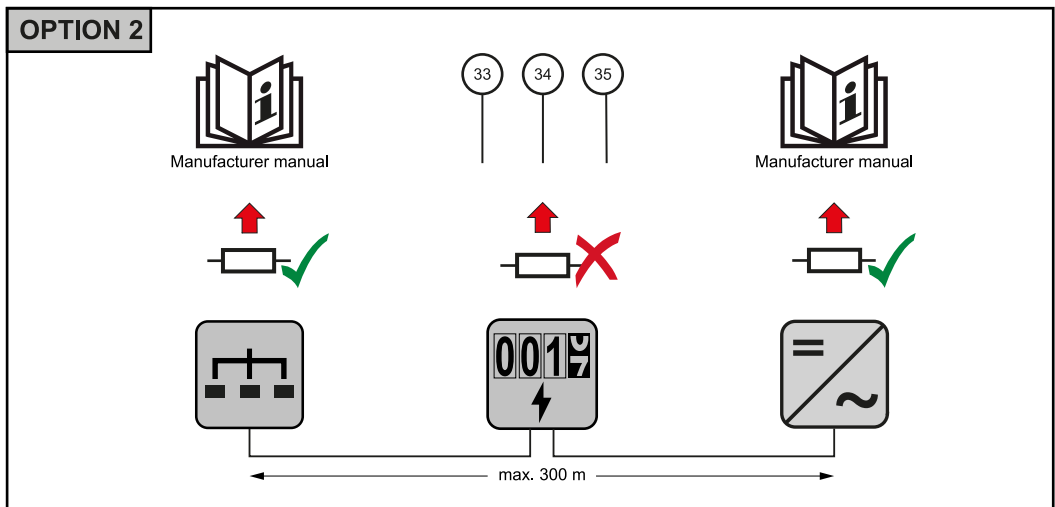
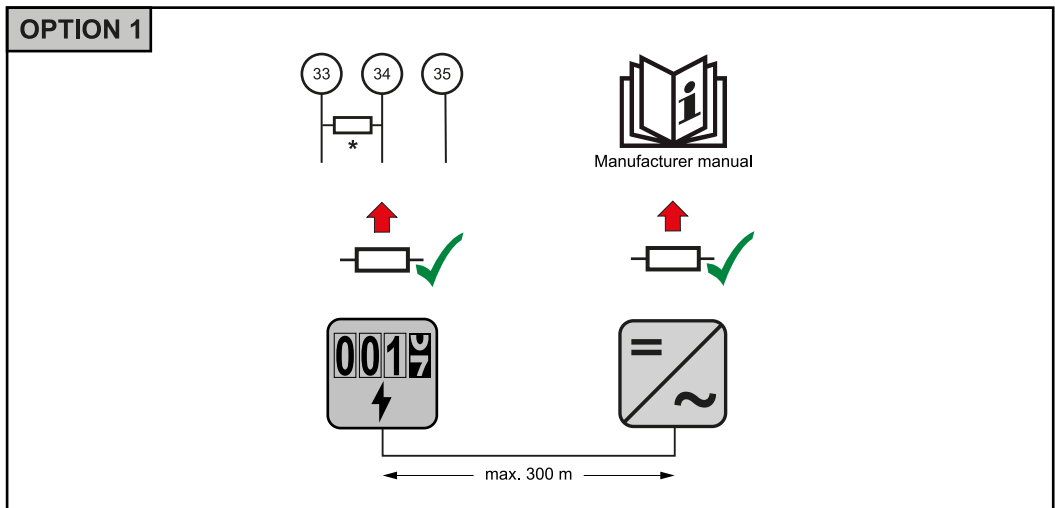
**Modbus RTU slave**  
e. g. Fronius Ohmpilot, Fronius Solar Battery, etc.

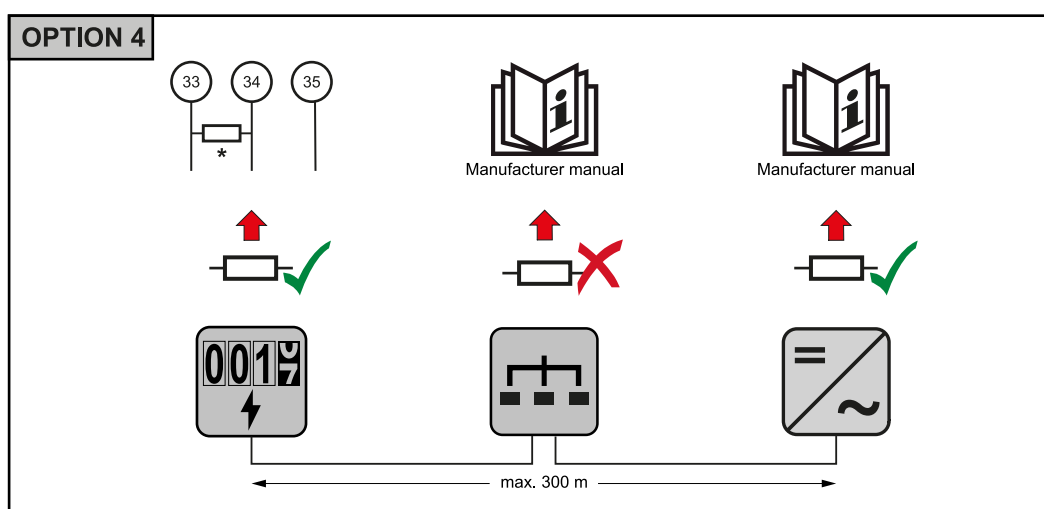
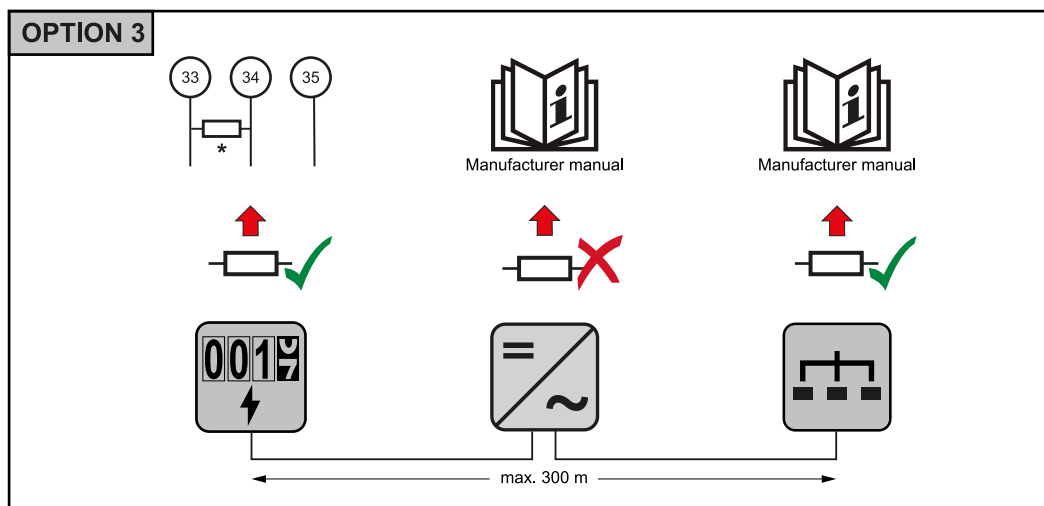


**Terminating resistor**  
R 120 Ohm

**Terminating resistors**

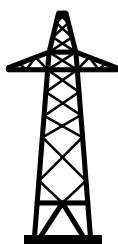
Due to interference, it is recommended that terminating resistors are used as illustrated below to ensure proper functioning.





\* The terminating resistor on Fronius Smart Meters is installed between **33** and **34**. The terminating resistor R 120 Ohm is included with the Fronius Smart Meter.

### Multi-meter system - Explanation of symbols



#### Grid

supplies the loads in the system if insufficient power is being generated by the PV modules or supplied by the battery.



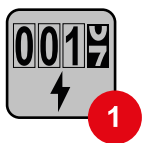
#### Inverter in the system

e. g. Fronius Primo, Fronius Symo, etc.



#### Utility meter

Measures the measurement data relevant for billing amounts of energy (in particular kilowatt hours of energy sourced from the grid and energy fed into the grid). Based on the relevant billing data, the electricity retailer will invoice the energy sourced from the grid and the purchaser of the surplus energy will reimburse the energy fed into the grid.



**Primary meter**

Records the system's load curve and provides measurement data for energy profiling in Fronius Solar.web. The primary meter also controls the dynamic feed-in control.



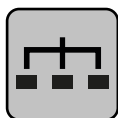
**Secondary meter**

Records the load curve of individual loads (e.g. washing machine, lamps, TV, heat pump, etc.) in the consumption branch and provides measurement data for energy profiling in Fronius Solar.web.



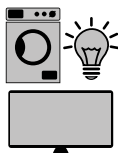
**Producer meter**

Records the load curve of individual producers (e.g. wind power plant) in the consumption branch and provides measurement data for energy profiling in Fronius Solar.web.



**Modbus RTU slave**

e. g. Fronius Ohmpilot, Fronius Solar Battery, etc.



**Loads in the system**

e. g. washing machine, lamps, TV, etc.



**Additional loads in the system**

e. g. heat pump



**Additional producers in the system**

e. g. wind power plant



**Terminating resistor**

R 120 Ohm

**Modbus participants - Fronius SnapINverter**

A maximum of 4 Modbus participants can be connected to the Modbus terminal.

**IMPORTANT!**

Only one primary meter, one battery and one Ohmpilot can be connected per inverter. Due to the high data transfer of the battery, the battery occupies 2 participants.

**Example:**

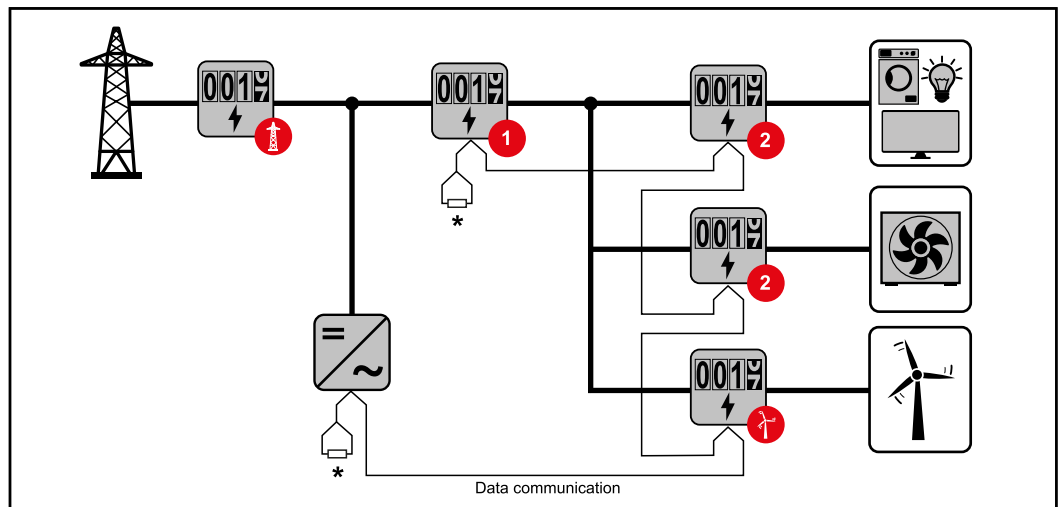
Input	Battery	Fronius Ohmpilot	Quantity Primary meter	Quantity Secondary meter
<b>Modbus</b>	✓	✓	1	0
	✓	✗	1	1
	✗	✓	1	2
	✗	✗	1	3

**Multi-meter system - Fronius SnapINverter**

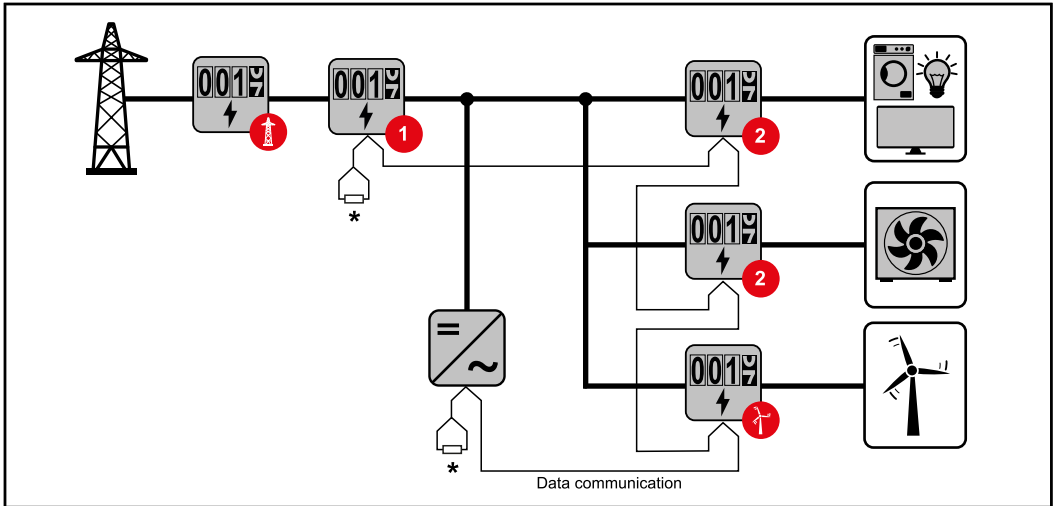
If several Fronius Smart Meters are installed, a separate address must be set for each one (see [Setting the address of the Fronius Smart Meter](#) on page 17). The primary meter is always assigned address 1. All the other meters are numbered consecutively with the address range from 2 to 14. Different Fronius Smart Meter power categories can be used in combination.

**IMPORTANT!**

Use max. 3 secondary meters in the system. To avoid interference, it is recommended to install the terminating resistors according to chapter [Terminating resistors](#) on page 11.



Location of the primary meter in the consumption branch. \*Terminating resistor R 120 Ohm



Location of the primary meter at the feed-in point. \*Terminating resistor R 120 Ohm

**The following must be observed in a multi-meter system:**

- Only assign each Modbus address once.
- Terminating resistors must be positioned individually for each channel.

**Modbus participants - Fronius GEN24**

The inputs MO and M1 can be selected for this purpose. A maximum of 4 Modbus participants can be connected to the Modbus terminal on inputs MO and M1.

**IMPORTANT!**

Only one primary meter, one battery and one Ohmpilot can be connected per inverter. Due to the high data transfer of the battery, the battery occupies 2 participants.

**Example 1:**

Input	Battery	Fronius Ohmpilot	Quantity Primary meter	Quantity Secondary meter
Modbus 0 (M0)	✗	✗	0	4
	✓	✗	0	2
	✓	✓	0	1
Modbus 1 (M1)	✗	✗	1	3

**Example 2:**

Input	Battery	Fronius Ohmpilot	Quantity Primary meter	Quantity Secondary meter
Modbus 0 (M0)	✗	✗	1	3

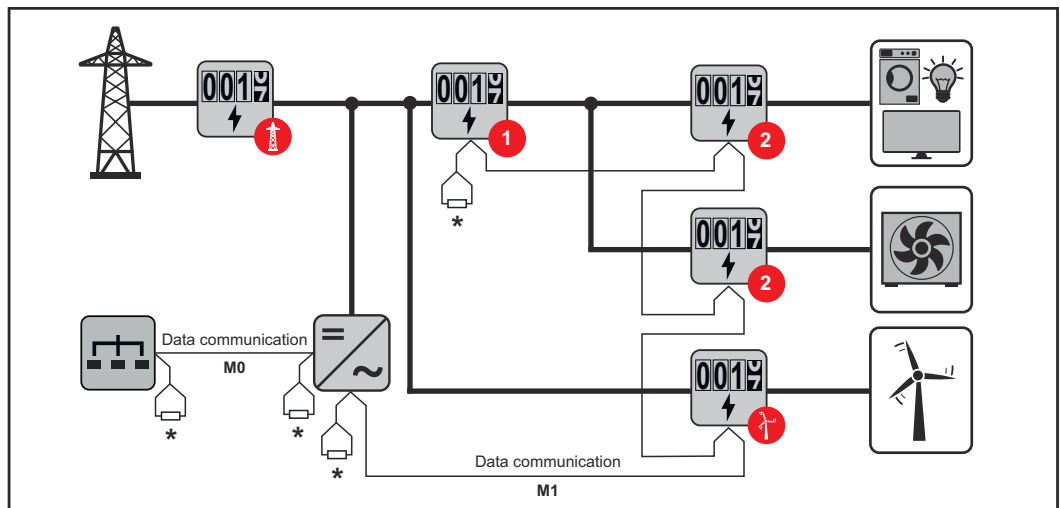
Input	Battery	Fronius Ohmpilot	Quantity Primary meter	Quantity Secondary meter
Modbus 1 (M1)	✗	✗	0	4
	✓	✗	0	2
	✓	✓	0	1

**Multi-meter system - Fronius GEN24 inverter**

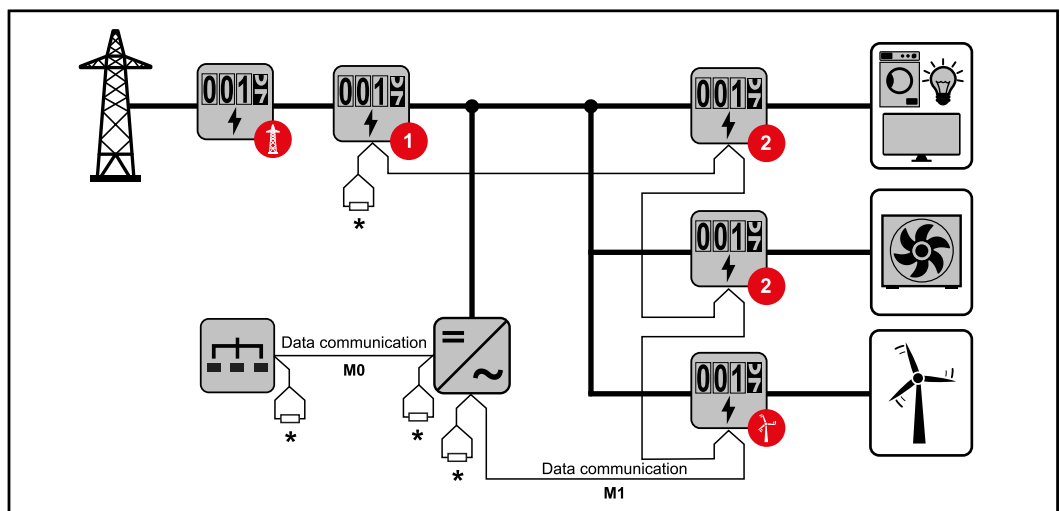
If several Fronius Smart Meters are installed, a separate address must be set for each one (see [Setting the address of the Fronius Smart Meter](#) on page 17). The primary meter is always assigned address 1. All the other meters are numbered consecutively with the address range from 2 to 14. Different Fronius Smart Meter power categories can be used in combination.

**IMPORTANT!**

Use max. 7 secondary meters in the system. To avoid interference, it is recommended to install the terminating resistors according to chapter [Terminating resistors](#) on page 11.



Location of the primary meter in the consumption branch. \*Terminating resistor R 120 Ohm



Location of the primary meter at the feed-in point. \*Terminating resistor R 120 Ohm







### The following must be observed in a multi-meter system:

- Connect the primary meter and the battery to different channels (recommended).
- The remaining Modbus participants must be distributed equally.
- Only assign each Modbus address once.
- Terminating resistors must be positioned individually for each channel.

### Menu structure

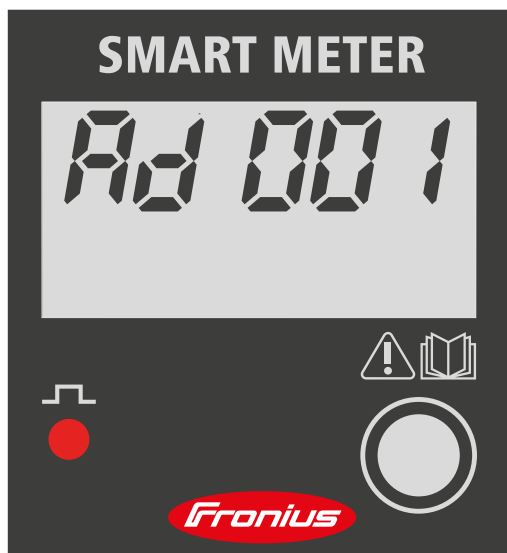
A graphic view of the menu structure can be found in the User Information that is supplied as standard.

### Setting the address of the Fronius Smart Meter

Symbol	Name	Event	Function
	Prog	1 x 	Increases the set value
	Prog	2 seconds 	Proceeds to the next menu item



- 1 Press "Prog" for 2 seconds to call up code entry.
- 2 Enter the password "2633". Increase the value with "Prog".




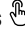


- 3 Press "Prog" for 2 seconds to change to the menu item "Ad" (address).
- 4 Set the relevant address.
  - Permissible values: 1 - 14

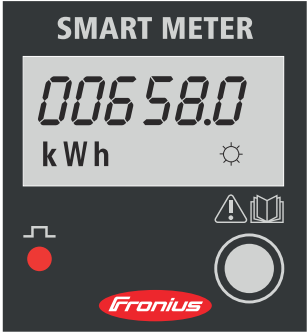



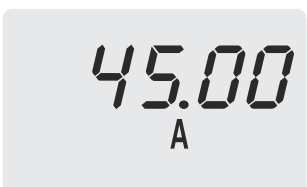

### IMPORTANT!





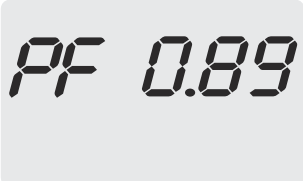

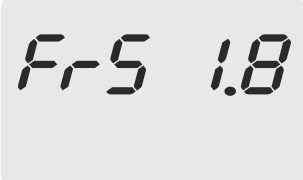
Skip all other settings and leave them unchanged.

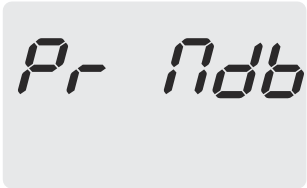
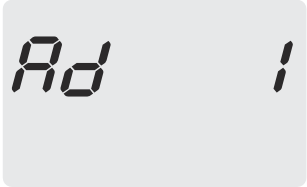
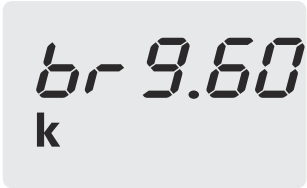
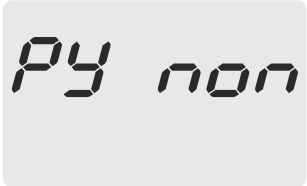

**Reading the Fronius Smart Meter operating parameters**

Symbol	Name	Event	Function
	Prog	1 x 	Continue to the next screen
	Prog	2 seconds 	Reset value / switch to basic settings

The following illustrations are symbolic representations. The values displayed vary for each individual unit.

Display	Description
	<b>Total active energy consumed</b>
	<b>Total active energy produced</b>  Press for 2 seconds to reset the value
	<b>Total reactive energy</b>
	<b>Partial reactive energy</b>
	<b>Current</b>  Press for 2 seconds to reset the value
	<b>Voltage</b>

Display	Description
 <p>2.454 k W</p>	<p><b>Effective power</b></p>
 <p>4.254 k VAF</p>	<p><b>Reactive power</b></p>
 <p>4.254 k VA</p>	<p><b>Apparent power</b></p>
 <p>50.0 F</p>	<p><b>Frequency</b></p>
 <p>PF 0.89</p>	<p><b>Power factor</b></p>
 <p>00089 h</p>	<p><b>Operating hours</b></p> <p>Press for 2 seconds to reset the value</p>
Display	Description
 <p>Fr-5 1.8</p>	<p><b>Internal operating data</b></p> <p>Press to return to the "Total active energy consumed" display.</p> <p>Press for 2 seconds to go to the basic settings</p>

Display	Description
	Protocol communication
	Address RS485
	Speed RS485
	Parity bit
	Version

# Start-up



## General

**IMPORTANT!** Settings under the "Meter" menu item are only to be made by trained and qualified personnel!

The service password must be entered in order to access the "Meter" menu item.

Three-phase or single-phase Fronius Smart Meters can be used. In both cases, the selection is made under the "Fronius Smart Meter" item. The Fronius Datamanager automatically identifies the meter type.

A primary meter and several secondary meters can be selected. The primary meter needs to be configured first before a secondary meter can be selected.

## Connecting to the Fronius Datamanager

### Access point:

- 1 Select the **"Setup"** menu on the inverter display and enable the **"Wi-Fi Access Point"**.
- 2 Establish the connection to the inverter in the network settings (the inverter is displayed with the name "Fronius\_240.XXXXXX").
- 3 Password: Enter 12345678 and confirm.
- 4 In the browser address bar, enter and confirm the IP address <http://192.168.250.181> and confirm.

The Fronius Datamanager start page is displayed.

### LAN:

- 1 Connect the Fronius Datamanager and computer to a LAN cable.
- 2 Place the Fronius Datamanager IP switch in the 'A' position.
- 3 In the browser address bar, enter and confirm the IP address <http://169.254.0.180> and confirm.

## Configuring the Fronius Smart Meter as the primary meter

- 1 Go to the Fronius Datamanager website.
  - Open the web browser.
  - In the address bar of the browser, enter the IP address (IP address for WLAN: 192.168.250.181, IP address for LAN: 169.254.0.180) or the host and domain name of the Fronius Datamanager and confirm.
  - The Fronius Datamanager website will be displayed.
- 2 Click the **"Settings"** button.
- 3 Log in to the login area with the **"service"** user and the service password.
- 4 Call up the **"Meter"** menu area.
- 5 Select the primary meter from the drop-down list.
- 6 Click the **"Settings"** button.
- 7 In the pop-up window, set the position of the meter (feed-in point or consumption point). For more information on the position of the Fronius Smart Meter, see [Positioning](#) on page 6.
- 8 Click the **"Ok"** button when the OK status is displayed. If the *Timeout* status is displayed, try again.

- 9 Click the  button to save the settings.

The Fronius Smart Meter is configured as a primary meter.

The "**Current general view**" menu area displays the power of the PV modules, self-consumption, the energy fed into the grid and the battery charge (if available).

---

### Configuring the Fronius Smart Meter as a secondary meter

- 1 Go to the Fronius Datamanager website.
  - Open the web browser.
  - In the address bar of the browser, enter the IP address (IP address for WLAN: 192.168.250.181, IP address for LAN: 169.254.0.180) or the host and domain name of the Fronius Datamanager and confirm.
  - The Fronius Datamanager website will be displayed.
- 2 Click the "**Settings**" button.
- 3 Log in to the login area with the "**service**" user and the service password.
- 4 Call up the "**Meter**" menu area.
- 5 Select the secondary meter from the drop-down list.
- 6 Click the "**Add**" button.
- 7 Enter the name of the secondary meter in the "**Name**" input field.
- 8 Enter the previously assigned address in the "**Modbus address**" input field.
- 9 Add meter description.
- 10 Click the  button to save the settings.

The Fronius Smart Meter is configured as a secondary meter.



# Fronius GEN24 inverter

## General

**IMPORTANT!** Settings under the "Device configuration" menu item are only to be made by trained and qualified personnel!

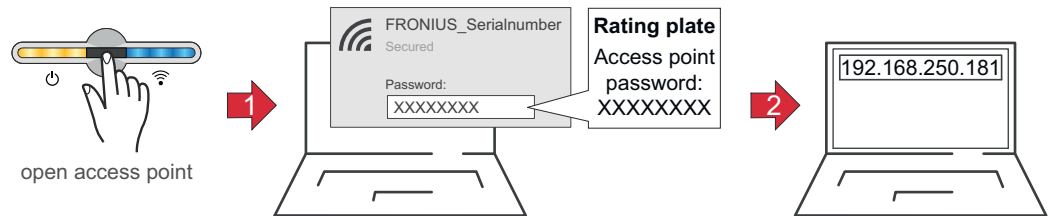
The technician password must be entered in order to access the "Device configuration" menu item.

Three-phase or single-phase Fronius Smart Meters can be used. In both cases, the selection is made under the "Components" menu area. The meter type is determined automatically.

A primary meter and several secondary meters can be selected. The primary meter needs to be configured first before a secondary meter can be selected.

## Installation using the web browser

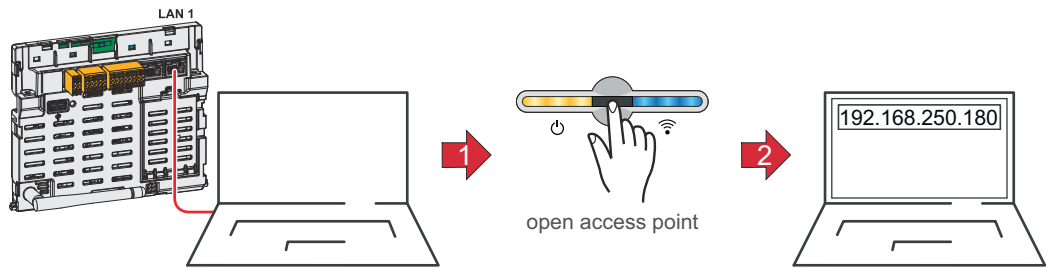
### WLAN:




- 1 Open the access point by touching the sensor → Communication LED flashes blue.
- 2 Establish the connection to the inverter in the network settings (the inverter is displayed with the name "FRONIUS\_" and the serial number of the device).
- 3 Enter the password from the rating plate and confirm.  
**IMPORTANT!**  
To enter the password on a Windows 10 operating system, the link "Connect using a security key instead" must first be activated to establish a connection with the password.
- 4 In the browser address bar, enter and confirm the IP address 192.168.250.181. The installation wizard is opened.
- 5 Follow the installation wizard in the individual sections and complete the installation.
- 6 Add system components in Solar.web and start up the PV system.

The network wizard and the product setup can be carried out independently of each other. A network connection is required for the Solar.web installation wizard.

## Ethernet:



- 1 Establish a connection to the inverter (LAN1) with a network cable (CAT5 STP or higher).
- 2 Open the access point by touching the sensor once  → Communication LED: flashes blue.
- 3 In the browser address bar, enter and confirm IP address 169.254.0.180. The installation wizard is opened.
- 4 Follow the installation wizard in the individual sections and complete the installation.
- 5 Add system components in Solar.web and start up the PV system.

The network wizard and the product setup can be carried out independently of each other. A network connection is required for the Solar.web installation wizard.

---

### Configuring the Fronius Smart Meter as the primary meter

- 1 Access the inverter website.
  - Open the web browser.
  - In the address bar of the browser, enter the IP address (IP address for WLAN: 192.168.250.181, IP address for LAN: 169.254.0.180) or the host and domain name of the inverter and confirm.
  - The inverter website is displayed.
- 2 Click the **"Device configuration"** button.
- 3 Log in to the login area with the **"Technician"** user and the technician password.
- 4 Access the **"Components"** menu area.
- 5 Click the **"Add component"** button.
- 6 In the "Position" drop-down list, set the position of the meter (feed-in point or consumption point). For more information on the position of the Fronius Smart Meter, see [Positioning](#) on page 6.
- 7 Click the **"Add"** button.
- 8 Click the **"Save"** button to save the settings.

The Fronius Smart Meter is configured as a primary meter.

---

### Configuring the Fronius Smart Meter as a secondary meter

- 1 Access the inverter website.
  - Open the web browser.
  - In the address bar of the browser, enter the IP address (IP address for WLAN: 192.168.250.181, IP address for LAN: 169.254.0.180) or the host and domain name of the inverter and confirm.
  - The inverter website is displayed.
- 2 Click the **"Device configuration"** button.

- 3 Log in to the login area with the "**Technician**" user and the technician password.
- 4 Access the "**Components**" menu area.
- 5 Click the "**Add component**" button.
- 6 In the "**Position**" drop-down list, select the meter type (producer/load meter).
- 7 Enter the previously assigned address in the "**Modbus address**" input field.
- 8 Enter the name of the meter in the "**Name**" input field.
- 9 In the "Category" drop-down list, select the category (producer or load).
- 10 Click the "**Add**" button.
- 11 Click the "**Save**" button to save the settings.

The Fronius Smart Meter is configured as a secondary meter.

# Technical data

## Technical data

**Modbus transmission speed:** 9600 baud

**Parity bit:** None

**Software version:** Datamanager 3.7.2 / Energypackage 1.3.3

Input	
Nominal voltage (1-phase) Operating range	230 V ±10%
Self-consumption - voltage path (max. voltage)	4 VA (1.9 W) for 264 V
Nominal frequency Tolerance	50 - 60 Hz 47 to 61 Hz
Nominal current, I <sub>b</sub>	10 A
Maximum current, I <sub>max</sub>	63 A
Starting current	40 mA
Short-time overload (EN/IEC 62053-21, EN/IEC 62053-23)	30 I <sub>max</sub> / 0.5 s
Self-consumption - current path (max. current)	1.5 W
Power factor Operating range (EN/IEC 62053-21, EN/IEC 62053-23)	cosφ 0.5 ind to 0.8 cap
Current distortion factor	In acc. with EN 62053-21

Output	
<b>Pulse output</b> Optical relay with NO contact SPST-NO, floating	
Contact load	110 V DC/AC - 50 mA
<b>Pulse value</b> (programmable)	1 imp/Wh - 10 Wh - 100 Wh - 1 kWh
<b>Pulse duration</b> (programmable)	50 - 100 - 150 - 200 - 300 - 400 - 500 ms
<b>RS485 communication</b> Electrically isolated from measuring input	
Standard	RS485 - 3 conductors
Transmission	Serial, asynchronous
Protocol	Compatible with Modbus RTU
<b>Addresses</b>	1 to 255
Number of bits	8
Stop bit	1
<b>Parity bit</b>	None - odd - even
<b>Baud rate</b>	2400 - 4800 - 9600 - 19200 bit/s
Response time	≤ 200 ms

<b>Insulation (EN/IEC 62052-11, 62053-21)</b>	
Installation category	III
Pollution level	2
Insulation voltage	300 V

<b>Electromagnetic compatibility</b>	
Emission test	In acc. with EN/IEC 62052-11, EN 50470
Immunity test	In acc. with EN/IEC 62052-11, EN 50470

<b>Operating conditions</b>	
Reference temperature	23°C (±2°C)
Operating range	-25 to 55°C
Temperature limit for storage and transport	-40 to 70°C
Tropical model	
Max. power loss (for thermal dimensioning of the switch cabinet)	≤ 4 W
Mechanical environment Electromechanical environment	M1 E2

<b>Housing</b>	
Housing	2 modules according to DIN 43880
Sealable front and terminal cover	
Connection	Screw connection
Mounting	Can be snapped onto 35 mm DIN rail
Housing material	Polycarbonate, self-extinguishing
Degree of protection (EN 60529)	IP51 front, IP20 connections
Weight	250 grams

<b>Screw terminals</b>	
<b>Measuring input</b>	
Wire (rigid)	Min. 1 mm <sup>2</sup> / max. 16 mm <sup>2</sup>
Wire (flexible)	Min. 1 mm <sup>2</sup> / max. 10 mm <sup>2</sup>
Recommended torque	1.2 Nm / max. 1.4 Nm
<b>Output</b>	
Wire (rigid)	Min. 0.05 mm <sup>2</sup> / max. 4 mm <sup>2</sup>
Wire (flexible)	Min. 0.05 mm <sup>2</sup> / max. 2.5 mm <sup>2</sup>
Recommended torque	0.5 Nm / max. 0.8 Nm

---

**Fronius manufacturer's warranty**

Detailed, country-specific warranty terms are available on the internet:  
[www.fronius.com/solar/warranty](http://www.fronius.com/solar/warranty)

To obtain the full warranty period for your newly installed Fronius inverter or storage system, please register at: [www.solarweb.com](http://www.solarweb.com).





[fronius.com/en/solar-energy/installers-partners/products-solutions/monitoring-digital-tools](https://fronius.com/en/solar-energy/installers-partners/products-solutions/monitoring-digital-tools)

**MONITORING &  
DIGITAL TOOLS**

**Fronius International GmbH**

Froniusstraße 1  
4643 Pettenbach  
Austria  
[contact@fronius.com](mailto:contact@fronius.com)  
[www.fronius.com](http://www.fronius.com)

At [www.fronius.com/contact](http://www.fronius.com/contact) you will find the contact details of all Fronius subsidiaries and Sales & Service Partners.